

# SFI soft close Installation instructions



## Enigma - All trims (SFI)

The following instructions demonstrate how to install the Selo 'Soft close' device to all Enigma - Sliding pocket door trims excluding the NFR Concealed.

For 'Frame installation' guidance please use the instructions supplied with the kit, or visit our website for further information.

[www.selo-uk.com/resources](http://www.selo-uk.com/resources)

## Soft closer (Soft close in one direction only)



**1** Lay the sliding track on a flat surface with the open channel facing upwards with the remote stop inserted as per step 3 in the Main Installation Instructions.

**2** Insert the closer cassette from the opposite end with the spring facing up.

**3** Locate the white plastic end buffer into the plastic trigger arm as shown.

**4** Slide them together into the track taking care to locate the metal guide plate on the plastic trigger arm into the associated groove in the track.

**Note:** It may be necessary to wind out the small black lock screw in the end of the trigger arm to allow the guide plate smooth passage.

**5** Once in place, lightly tighten down the hex bolt in the white end buffer to secure temporarily.

**6** By partly screwing in the hanger bolts it will be possible to test the action of the mechanism and make sure it is orientated the correct way around.

**7** The track can now be fitted as per step 4.

**Note:** Once the track has been secured it will be possible to determine the final position of the trigger before you install the door by cutting length of timber to the width of the door and using it to position correctly.

## Soft close and open

**IMPORTANT!** Do not insert the remote stop. If it is inserted then remove.

- 8 Complete steps 1-4 then add the additional white end buffer and plastic trigger arm to the other end of the track, once the closer cassette has been inserted.

## Door leaf installation

- 9 Position and fit the head brackets as the dimensions below. See diagram.

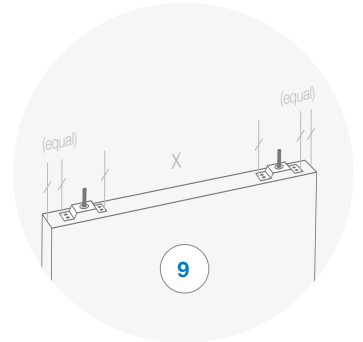
ES01: X = 314mm

ES02: X = 640mm

ES03: X = 523mm

ES04: X = 1030mm

- 10 Screw the trolley bolts into the soft closer cassette and wind them up so that they sit 20-25mm beneath the track.
- 11 The door can now be offered up and the brackets fitted to the top of the door hung onto the trolley bolts and the locking nuts tightened.
- 12 Once the trims are fitted adjust the stops inside the track to ensure the doors is stopped in the correct position.
- 13 Refer to the Main Installation Instructions to complete your Enigma sliding pocket door.



For help and advice with your installation contact our experienced team.

**tel** 0845 054 6327

**email** [sales@selo-uk.com](mailto:sales@selo-uk.com)

Did you know you can watch installation videos on our website?

[www.selo-uk.com/video](http://www.selo-uk.com/video)

