

NCFI soft close Installation instructions

Fire rating:
NFR

Frame type:
Concealed



Enigma - NFR Concealed (NCFI)

The following instructions demonstrate how to install the Selo 'Soft close' device to the NFR Concealed, Enigma - Sliding pocket door.

For 'Frame installation' guidance please use the instructions supplied with the kit, or visit our website for further information.

www.selo-uk.com/resources

Soft closer (Soft close in one direction only)



1 Lay the sliding track on a flat surface with the open channel facing upwards with the remote stop inserted as per step 3 in the Main Installation Instructions.

2 Insert the closer cassette from the opposite end with the spring facing up.

3 Locate the white plastic end buffer into the plastic trigger arm as shown.

4 Slide them together into the track taking care to locate the metal guide plate on the plastic trigger arm into the associated groove in the track.

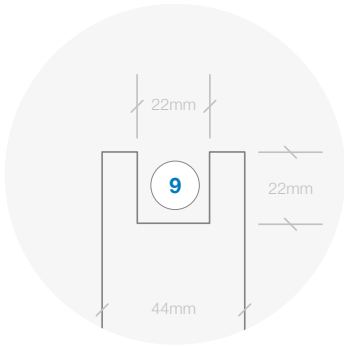
Note: It may be necessary to wind out the small black lock screw in the end of the trigger arm to allow the guide plate smooth passage.

5 Once in place, lightly tighten down the hex bolt in the white end buffer to secure temporarily.

6 By partly screwing in the hanger bolts it will be possible to test the action of the mechanism and make sure it is orientated the correct way around.

7 The track can now be fitted as per step 4.

Note: Once the track has been secured it will be possible to determine the final position of the trigger before you install the door by cutting length of timber to the width of the door and using it to position correctly.



Soft close and open

IMPORTANT! Do not insert the remote stop. If it is inserted then remove.

- 8 Complete steps 1-4 then add the additional white end buffer and plastic trigger arm to the other end of the track, once the closer cassette has been inserted.



Door leaf installation

- 9 The door leaf will require a rebate the full width of the door as shown.

- 10 Cut the supplied head channel to the width of the door less 3mm. Fit the channel end cap to one end of the channel and fit the channel into the rebate in the door with the end cap flush with the leading edge of the door leaf.

- 11 Fit the supplied channel centrally and flush into the top of the door, secure with the screws provided.

- 12 Assemble the trolley brackets by fitting the long bolt into the centre hole and winding in the lock bolt into the threaded hole.

- 13 Screw the trolley brackets into the pocket end of the closer cassette until it measures 25mm from the underside of the head to the bottom of the trolley bracket.

- 14 Offer up the door and slide the bracket into the channel whilst sliding the door into the pocket.

- 15 Continue sliding the bracket along the channel until the bolt hole at the clear opening end of the closer mechanism becomes accessible.

- 16 Screw the remaining concealed bracket bolt into the closer cassette and slide back the cassette so it is centralised to the door width.

- 17 Tighten off the hanger locking bolts with the spanner provided.

- 18 Adjust the stops inside the track to ensure the doors is stopped in the correct position.

- 19 Refer to the Main Installation Instructions to complete your Enigma sliding pocket door.



For help and advice with your installation contact our experienced team.

tel 0845 054 6327

email sales@selo-uk.com

Did you know you can watch installation videos on our website?

www.selo-uk.com/video

